



Practical Systems

Improving the business of farming



Stockbook

Cattle Sample Reports

Livestock Management Software
to Help Farmers Work Smarter

LIST OF REPORTS:

INVENTORY REPORTS:

Stock Reconciliation (for a specific date)

Stock Reconciliation (for a specific date range)

TRADING REPORTS:

Purchase Report

Trading Report

Projected Trading Report

Feedlot Performance Report

WEIGHT REPORTS:

Weights Summary Report

Weights Summary Report GROUPED

Projected Weights Report

Carcase Report

FEMALE BREEDING HISTORY REPORTS:

Female Breeding History

Progeny Summary Report

Birth List

ANIMAL TREATMENT REPORTS:

Animal Treatment History

Animal History with Costs

STUD REPORTING:

Pedigree

Trait Summary

EBV Summary

Calf Registration Form

PRACTICAL SYSTEMS STOCKBOOK

INVENTORY REPORTS:

Stock Reconciliation (for a specific date)

Stock Reconciliation (for a specific date range)

Download a 30 day free trial at: www.practicalsystems.com.au/stockbook

STOCKBOOK REPORTS**Stock Reconciliation as at 07/08/2009**

08BIS	17	Animals
09GDH1	15	Animals
09GDH2	59	Animals
AGIST. COW	2	Animals
B I BULLS	6	Animals
B I COWS	70	Animals
B I STRS	1	Animals
CULL FEMAL	72	Animals
H B COWS	48	Animals
H B HFRS	126	Animals
HB STRS	165	Animals

Summary

Castrated Males	184
Young Bulls	0
Bulls	6
Cows/Maidens	391
Unknown Sex	0
	581

Default Trading Name**Stock Reconciliation for period 26/04/2011 to 26/04/2012**

Opening Stock	316
Add Natural Increase	100
Add Purchases	1
Add Agistments	1
Less Sales	108
Less Deaths/Disposals	36
Closing Stock	<hr/> 274

PRACTICAL SYSTEMS STOCKBOOK

TRADING REPORTS:

Purchase Report

Trading Report

Projected Trading Report

Feedlot Performance Report

Cattle only

Allied Beef Pty Ltd

Purchases report for selected animals, in Identification order

Identification	First Wt.	Sex	Age	Purchase Date	Vendor	Agent	Price c/kg	Price \$/Hd	Costs	Total \$/Hd	Venue	HGP Free	Vendor Dec. No.	Vendor Tag	Breed
220190	323.0	S		13/01/2010	ABC Cattle		181.00	584.63	62.28	646.91			D345678	AB123456	AA
220191	303.0	S		13/01/2010	ABC Cattle		181.00	548.43	62.28	610.71			D345678	AB123456	AX
220192	263.0	S		13/01/2010	ABC Cattle		181.00	476.03	66.19	542.21			D345678	AB123456	AA
220193	360.0	S		13/01/2010	ABC Cattle		181.00	651.60	62.28	713.88			D345678	AB123456	AX
220194	341.0	S		13/01/2010	ABC Cattle		181.00	617.21	62.28	679.49			D345678	AB123456	AA
220195	271.0	S		13/01/2010	ABC Cattle		181.00	490.00	139.88	629.88			D345678	AB123456	AX
220196	332.0	S		13/01/2010	ABC Cattle		181.00	600.92	62.28	663.20			D345678	AB123456	AA
220197	328.0	S		13/01/2010	ABC Cattle		181.00	593.68	62.28	655.96			D345678	AB123456	AA
220198	365.0	S		13/01/2010	ABC Cattle		181.00	660.65	62.28	722.93			D345678	AB123456	AX
220199	343.0	S		13/01/2010	ABC Cattle		181.00	620.83	62.28	683.11			D345678	AB123456	AX
220200	346.0	S		13/01/2010	ABC Cattle		181.00	626.26	62.28	688.54			D345678	AB123456	AX
Total Wt.	19,122						Average:	181.00	607.17	67.18	674.35		Avg. cents/kg	1.81	
Avg. Wt.	335				57 animals		Total:		34609	3829	38438				

Cattle only

STOCKBOOK REPORTS

Printed

07/08/2009

Page 1

Trading report for period to 07/08/2009, in \$/day order

Identification	-----Purchase-----			-----Sale-----			No. Days	No. Kgs	ADG	Other Costs	\$ Net	\$/Day	\$ Net % per annum	Breed	Vendor
	Date	Price	Weight	Date	Price	Weight									
SA430	25/01/2008	650	320.0	15/05/2009	883	536.0	476	216.0	0.45	8.16	225	0.47	26.54	HHPH	Davidson Cameron & Co.
SA431	25/01/2008	650	334.0	15/05/2009	883	524.0	476	190.0	0.40	8.16	225	0.47	26.54	HHPH	Davidson Cameron & Co.
SA436	25/01/2008	650	267.0	15/05/2009	883	536.0	476	269.0	0.57	8.16	225	0.47	26.54	HHPH	Davidson Cameron & Co.
SA425	25/01/2008	650	306.0	15/05/2009	889	544.0	476	238.0	0.50	8.16	231	0.49	27.25	HHPH	Davidson Cameron & Co.
SA426	25/01/2008	650	326.0	15/05/2009	889	554.0	476	228.0	0.48	8.16	231	0.49	27.25	HHPH	Davidson Cameron & Co.
SA432	25/01/2008	650	308.0	15/05/2009	889	560.0	476	252.0	0.53	8.16	231	0.49	27.25	HHPH	Davidson Cameron & Co.
SA438	25/01/2008	650	352.0	20/08/2008	859	474.0	208	122.0	0.59	5.00	204	0.98	55.07	HHPH	Davidson Cameron & Co.
SA427	25/01/2008	650	358.0	20/08/2008	859	436.0	208	78.0	0.38	5.00	204	0.98	55.07	HHPH	Davidson Cameron & Co.
SA440	25/01/2008	650	362.0	20/08/2008	859	468.0	208	106.0	0.51	5.00	204	0.98	55.07	HHPH	Davidson Cameron & Co.
SA439	25/01/2008	650	342.0	20/08/2008	859	444.0	208	102.0	0.49	5.00	204	0.98	55.07	HHPH	Davidson Cameron & Co.
SA434	25/01/2008	650	356.0	20/08/2008	859	452.0	208	96.0	0.46	5.00	204	0.98	55.07	HHPH	Davidson Cameron & Co.
SA435	25/01/2008	650	360.0	20/08/2008	859	446.0	208	86.0	0.41	5.00	204	0.98	55.07	HHPH	Davidson Cameron & Co.
SA441	25/01/2008	650	340.0	24/11/2008	1025	544.0	304	204.0	0.67	5.00	370	1.22	68.35	HHPH	Davidson Cameron & Co.
SA424	25/01/2008	650	318.0	24/11/2008	1025	564.0	304	246.0	0.81	5.00	370	1.22	68.35	HHPH	Davidson Cameron & Co.
SA437	25/01/2008	650	366.0	24/11/2008	1025	514.0	304	148.0	0.49	5.00	370	1.22	68.35	HHPH	Davidson Cameron & Co.
SA429	25/01/2008	650	344.0	24/11/2008	1025	528.0	304	184.0	0.61	5.00	370	1.22	68.35	HHPH	Davidson Cameron & Co.
SA428	25/01/2008	650	416.0	04/08/2008	1058	532.0	192	116.0	0.60	5.00	403	2.10	117.86	HHPH	Davidson Cameron & Co.
SA433	25/01/2008	650	404.0	30/06/2008	1055	536.0	157	132.0	0.84	5.00	400	2.55	143.07	HHPH	Davidson Cameron & Co.
Averages		650.00	343.28		926.83	510.7	315	167.4	0.54	6.05	270.83	1.02	57.01		
18 animals							Totals:	3013.0		108.89	4,875				

Cattle only

STOCKBOOK REPORTS

Printed

07/08/2009

Page 1

Projected Trading report for sales on 30/09/2009, in \$/day order

Identification	-----Purchase-----			-----Sale-----			No. Days	No. Kgs	ADG	Other Costs	\$ Net	\$/Day	\$ Net % per annum	Breed	Vendor
	Date	Price	Weight	Date	Price	Weight									
SA490	25/01/2008	650	247.0	30/09/2009	966	508.4	614	261.4	0.43	8.16	308	0.50	28.17	HHPH	Davidson Cameron & Co.
SA466	25/01/2008	650	289.0	30/09/2009	1126	592.4	614	303.4	0.49	8.16	467	0.76	42.71	HHPH	Davidson Cameron & Co.
SA491	25/01/2008	650	247.0	30/09/2009	1141	600.4	614	353.4	0.58	8.16	483	0.79	44.17	HHPH	Davidson Cameron & Co.
SA477	25/01/2008	650	308.0	30/09/2009	1190	626.4	614	318.4	0.52	8.16	532	0.87	48.65	HHPH	Davidson Cameron & Co.
SA423	25/01/2008	650	274.0	30/09/2009	1194	628.4	614	354.4	0.58	8.16	536	0.87	49.02	HHPH	Davidson Cameron & Co.
SA492	25/01/2008	650	266.0	30/09/2009	1194	628.4	614	362.4	0.59	8.16	536	0.87	49.02	HHPH	Davidson Cameron & Co.
SA478	25/01/2008	650	318.0	30/09/2009	1198	630.4	614	312.4	0.51	8.16	540	0.88	49.39	HHPH	Davidson Cameron & Co.
SA461	25/01/2008	650	332.0	30/09/2009	1198	630.4	614	298.4	0.49	8.16	540	0.88	49.39	HHPH	Davidson Cameron & Co.
SA474	25/01/2008	650	298.0	30/09/2009	1213	638.4	614	340.4	0.55	8.16	555	0.90	50.76	HHPH	Davidson Cameron & Co.
SA469	25/01/2008	650	320.0	30/09/2009	1217	640.4	614	320.4	0.52	8.16	559	0.91	51.12	HHPH	Davidson Cameron & Co.
SA458	25/01/2008	650	312.0	30/09/2009	1242	653.6	614	341.6	0.56	8.16	584	0.95	53.41	HHPH	Davidson Cameron & Co.
SA446	25/01/2008	650	310.0	30/09/2009	1243	654.4	614	344.4	0.56	8.16	585	0.95	53.50	HHPH	Davidson Cameron & Co.
SA442	25/01/2008	650	316.0	30/09/2009	1243	654.4	614	338.4	0.55	8.16	585	0.95	53.50	HHPH	Davidson Cameron & Co.
SA484	25/01/2008	650	336.0	30/09/2009	1247	656.4	614	320.4	0.52	8.16	589	0.96	53.87	HHPH	Davidson Cameron & Co.
SA420	25/01/2008	650	330.0	30/09/2009	1259	662.4	614	332.4	0.54	8.16	600	0.98	54.87	HHPH	Davidson Cameron & Co.
SA447	25/01/2008	650	328.0	30/09/2009	1297	682.4	614	354.4	0.58	8.16	638	1.04	58.35	HHPH	Davidson Cameron & Co.
SA471	25/01/2008	650	312.0	30/09/2009	1304	686.4	614	374.4	0.61	8.16	646	1.05	59.08	HHPH	Davidson Cameron & Co.
Averages		650.00	302.53		1204.24	633.8	614	331.2	0.54	8.16	546.06	0.89	49.94		
17 animals							Totals:	5631.0		138.67	9,283				

Cattle only

Default Trading Name

Feedlot Performance Report

Identification	Date Into		Wght. In	Est. \$/kg Live	Est. Induct. Value	Days Fed	Total Feed Eaten	Feed /Day	Wght. Gain /Day	Conv. Rate	Total Feed Cost	Feed Cost /Day	Cost /kg Gain	Date Killed	Sale Wght.	Drسد. Wght.	Yield %	Drسد. Value		Other Costs	PROFIT	
	Feedlot	Sex																Value	Value			
1016	09/04/2009	S	368.0	1.85	680.80	54	804.0	14.89	132.0	2.4	6.1	130.91	2.42	0.99	02/06/2009	500.0	269.0	53.8	3.70	995.30	16.25	167.34
1038	09/04/2009	S	348.0	1.85	643.80	54	804.0	14.89	105.0	1.9	7.7	130.91	2.42	1.25	02/06/2009	453.0	241.0	53.2	3.70	891.70	16.25	100.74
1045	09/04/2009	S	368.0	1.85	680.80	54	804.0	14.89	132.0	2.4	6.1	130.91	2.42	0.99	02/06/2009	500.0	270.0	54.0	3.70	999.00	16.25	171.04
1048	09/04/2009	S	365.0	1.85	675.25	54	804.0	14.89	127.0	2.4	6.3	130.91	2.42	1.03	02/06/2009	492.0	257.5	52.3	3.70	952.75	16.25	130.34
1235	03/04/2009	S	366.0	1.85	677.10	60	711.8	11.86	106.0	1.8	6.7	126.97	2.12	1.20	02/06/2009	472.0	243.0	51.5	3.70	899.10	16.25	78.78
1239	03/04/2009	S	346.0	1.85	640.10	60	711.8	11.86	72.0	1.2	9.9	126.97	2.12	1.76	02/06/2009	418.0	226.5	54.2	3.70	838.05	16.25	54.73
1243	03/04/2009	S	361.0	1.85	667.85	60	711.8	11.86	109.0	1.8	6.5	126.97	2.12	1.16	02/06/2009	470.0	255.0	54.3	3.70	943.50	16.25	132.43
1245	03/04/2009	S	328.0	1.85	606.80	60	711.8	11.86	125.0	2.1	5.7	126.97	2.12	1.02	02/06/2009	453.0	243.0	53.6	3.70	899.10	16.25	149.08
1251	03/04/2009	S	357.0	1.85	660.45	60	711.8	11.86	107.0	1.8	6.7	126.97	2.12	1.19	02/06/2009	464.0	255.0	55.0	3.70	943.50	16.25	139.83
1252	03/04/2009	S	353.0	1.85	653.05	60	711.8	11.86	111.0	1.9	6.4	126.97	2.12	1.14	02/06/2009	464.0	252.5	54.4	3.70	934.25	16.25	137.98
1254	03/04/2009	S	326.0	1.85	603.10	60	711.8	11.86	131.0	2.2	5.4	126.97	2.12	0.97	02/06/2009	457.0	233.5	51.1	3.70	863.95	16.25	117.63
1266	03/04/2009	S	311.0	1.85	575.35	60	711.8	11.86	139.0	2.3	5.1	126.97	2.12	0.91	02/06/2009	450.0	224.0	49.8	3.70	828.80	16.25	110.23
1270	03/04/2009	S	327.0	1.85	604.95	60	711.8	11.86	106.0	1.8	6.7	126.97	2.12	1.20	02/06/2009	433.0	234.0	54.0	3.70	865.80	16.25	117.63
1280	03/04/2009	S	310.0	1.85	573.50	60	711.8	11.86	112.0	1.9	6.4	126.97	2.12	1.13	02/06/2009	422.0	237.0	56.2	3.70	876.90	16.25	160.18
1283	03/04/2009	S	349.0	1.85	645.65	60	711.8	11.86	113.0	1.9	6.3	126.97	2.12	1.12	02/06/2009	462.0	241.5	52.3	3.70	893.55	16.25	104.68
Average			345.5	1.85	639.24	58.4	736.4	12.7	115.1	2.0	6.5	128.02	2.20	1.14		460.7	245.5	53.3	3.70	908.35	16.25	124.84
Total			5183.0		9,588.55		11046.0		1727.0			1,920.29				6910.0	3682.5			13,625.25	243.75	1,872.66

15 animals

PRACTICAL SYSTEMS STOCKBOOK

WEIGHT REPORTS:

Weights Summary Report
Weights Summary Report GROUPED
Projected Weights Report
Carcase Report

Stockbook Reports

Weights Summary for all dates, in Identification order

Identification	Sex	Age	-----First-----		----Second Last----		-----Last-----		--Current--		---Overall---		
			Weight	Date	Weight	Date	Weight	Date	Days	ADG	Days	ADG	
11/O54	S	20 mth	244.0	12/07/2011	346.0	23/12/2011	436.0	27/03/2012	95	0.95	259	0.74	
11/O59	S	20 mth	251.0	12/07/2011	362.0	23/12/2011	424.0	27/03/2012	95	0.65	259	0.67	
11/O65	S	20 mth	237.0	12/07/2011	372.0	23/12/2011	432.0	27/03/2012	95	0.63	259	0.75	
11/O67	S	20 mth	248.0	12/07/2011	368.0	23/12/2011	432.0	27/03/2012	95	0.67	259	0.71	
11/O70	S	20 mth	283.0	12/07/2011	440.0	23/12/2011	504.0	27/03/2012	95	0.67	259	0.85	
11/O72	S	20 mth	247.0	12/07/2011	384.0	23/12/2011	446.0	27/03/2012	95	0.65	259	0.77	
11/O73	S	20 mth	264.0	12/07/2011	394.0	23/12/2011	462.0	27/03/2012	95	0.72	259	0.76	
11/O75	S	20 mth	244.0	12/07/2011	384.0	23/12/2011	474.0	27/03/2012	95	0.95	259	0.89	
11/O79	S	20 mth	251.0	12/07/2011	384.0	23/12/2011	460.0	27/03/2012	95	0.80	259	0.81	
11/O88	S	20 mth	300.0	12/07/2011	428.0	23/12/2011	486.0	27/03/2012	95	0.61	259	0.72	
11/W85	S	2.00 yr	350.0	12/07/2011	492.0	23/12/2011	556.0	27/03/2012	95	0.67	259	0.80	
11/W87	S	2.00 yr	346.0	12/07/2011	474.0	23/12/2011	534.0	27/03/2012	95	0.63	259	0.73	
11/W88	S	2.00 yr	372.0	12/07/2011	508.0	23/12/2011	568.0	27/03/2012	95	0.63	259	0.76	
11/W89	S	2.00 yr	321.0	12/07/2011	444.0	23/12/2011	496.0	27/03/2012	95	0.55	259	0.68	
11/W91	S	2.00 yr	317.0	12/07/2011	442.0	23/12/2011	512.0	27/03/2012	95	0.74	259	0.75	
15 Animals			Report Averages			414.80		481.47		95.00	0.70	259.00	0.76

Stockbook Reports

Weights Summary for all dates, grouped by Sire

Identification	Sex	Age	-----First-----		----Second Last----		-----Last-----		--Current--		---Overall---		
			Weight	Date	Weight	Date	Weight	Date	Days	ADG	Days	ADG	
Sire: ABC123													
11/O54	S	20 mth	244.0	12/07/2011	346.0	23/12/2011	436.0	27/03/2012	95	0.95	259	0.74	
11/O59	S	20 mth	251.0	12/07/2011	362.0	23/12/2011	424.0	27/03/2012	95	0.65	259	0.67	
11/O65	S	20 mth	237.0	12/07/2011	372.0	23/12/2011	432.0	27/03/2012	95	0.63	259	0.75	
11/O67	S	20 mth	248.0	12/07/2011	368.0	23/12/2011	432.0	27/03/2012	95	0.67	259	0.71	
11/O70	S	20 mth	283.0	12/07/2011	440.0	23/12/2011	504.0	27/03/2012	95	0.67	259	0.85	
5 animals in group			Group Averages			377.60		445.60		95.00	0.72	259.00	0.75
Sire: ABC456													
11/O72	S	20 mth	247.0	12/07/2011	384.0	23/12/2011	446.0	27/03/2012	95	0.65	259	0.77	
11/O73	S	20 mth	264.0	12/07/2011	394.0	23/12/2011	462.0	27/03/2012	95	0.72	259	0.76	
11/O75	S	20 mth	244.0	12/07/2011	384.0	23/12/2011	474.0	27/03/2012	95	0.95	259	0.89	
11/O79	S	20 mth	251.0	12/07/2011	384.0	23/12/2011	460.0	27/03/2012	95	0.80	259	0.81	
11/O88	S	20 mth	300.0	12/07/2011	428.0	23/12/2011	486.0	27/03/2012	95	0.61	259	0.72	
5 animals in group			Group Averages			394.80		465.60		95.00	0.75	259.00	0.79
Sire: ABC789													
11/W85	S	2.00 yr	350.0	12/07/2011	492.0	23/12/2011	556.0	27/03/2012	95	0.67	259	0.80	
11/W87	S	2.00 yr	346.0	12/07/2011	474.0	23/12/2011	534.0	27/03/2012	95	0.63	259	0.73	
11/W88	S	2.00 yr	372.0	12/07/2011	508.0	23/12/2011	568.0	27/03/2012	95	0.63	259	0.76	
11/W89	S	2.00 yr	321.0	12/07/2011	444.0	23/12/2011	496.0	27/03/2012	95	0.55	259	0.68	
11/W91	S	2.00 yr	317.0	12/07/2011	442.0	23/12/2011	512.0	27/03/2012	95	0.74	259	0.75	
5 animals in group			Group Averages			472.00		533.20		95.00	0.64	259.00	0.74
15 Animals			Report Averages			414.80		481.47		95.00	0.70	259.00	0.76

Stockbook Reports**Projected Weights**

Weights Projected to 30/05/2012, using Current Average Daily Gain

Identification	Sex	Age	----2nd Last----		-----Last-----		---- Current ----		----- Projected ----		
			Weight	Date	Weight	Date	Days	ADG	Live Wt.	Date	
11/W88	S	2.00 yr	508.00	23/12/2011	568.00	27/03/2012	95	0.63	608.42	30/05/2012	
11/W85	S	2.00 yr	492.00	23/12/2011	556.00	27/03/2012	95	0.67	599.12	30/05/2012	
11/W87	S	2.00 yr	474.00	23/12/2011	534.00	27/03/2012	95	0.63	574.42	30/05/2012	
11/W91	S	2.00 yr	442.00	23/12/2011	512.00	27/03/2012	95	0.74	559.16	30/05/2012	
11/O70	S	20 mth	440.00	23/12/2011	504.00	27/03/2012	95	0.67	547.12	30/05/2012	
11/O75	S	20 mth	384.00	23/12/2011	474.00	27/03/2012	95	0.95	534.63	30/05/2012	
11/W89	S	2.00 yr	444.00	23/12/2011	496.00	27/03/2012	95	0.55	531.03	30/05/2012	
11/O88	S	20 mth	428.00	23/12/2011	486.00	27/03/2012	95	0.61	525.07	30/05/2012	
11/O79	S	20 mth	384.00	23/12/2011	460.00	27/03/2012	95	0.80	511.20	30/05/2012	
11/O73	S	20 mth	394.00	23/12/2011	462.00	27/03/2012	95	0.72	507.81	30/05/2012	
11/O54	S	20 mth	346.00	23/12/2011	436.00	27/03/2012	95	0.95	496.63	30/05/2012	
11/O72	S	20 mth	384.00	23/12/2011	446.00	27/03/2012	95	0.65	487.77	30/05/2012	
11/O67	S	20 mth	368.00	23/12/2011	432.00	27/03/2012	95	0.67	475.12	30/05/2012	
11/O65	S	20 mth	372.00	23/12/2011	432.00	27/03/2012	95	0.63	472.42	30/05/2012	
11/O59	S	20 mth	362.00	23/12/2011	424.00	27/03/2012	95	0.65	465.77	30/05/2012	
15 animals							Averages		0.70	526.38	

Cattle only

Default Trading Name

Carcase Report for period 16/05/2010 to 16/05/2011, in Identification order

Identification	Body		P8		-----LEFT-----			-----RIGHT-----			-----BODY-----			Meat		Fat		Rib		VIA		VIA		Meat		MSA				
	No.	Sex	Dent	Musc	Fat	Weight	Brs	Grd	Weight	Brs	Grd	Weight	Price/Kg	Value	Mbl	Clr	Clr	Txt	Fat	EMA	Fat%	EMY%	pH	SMY	Oss'n	Grd	Sale Wt.	Yld%		
WSP1975	381	F			9.0	113.2			113.2			226.4	3.54	801.46	1	1C	1		9.2	58.0							67.0		405.0	55.9
WSP1982	379	F			10.0	117.0			117.0			234.0	3.54	828.36	1	1C	1		1.4	62.0							68.3		431.0	54.3
WSP2154	378	F			11.0	113.0			113.0			226.0	3.54	800.04	1	1C	1		5.0	60.0							64.9		398.0	56.8
WSP2160	369	F	4		14.0	137.6			137.6			275.2	2.74	754.05	1	3	1		3.7	75.0							70.5		486.0	56.6
WSP2165	374	F			9.0	104.2			104.2			208.4	3.54	737.74	1	1C	2		7.5	68.0							69.5		396.0	52.6
WSP2168	382	F			14.0	110.7			110.7			221.4	3.54	783.76	1	1C	1		7.0	63.0							66.9		402.0	55.1
WSP2179	377	F			16.0	105.5			105.5			211.0	3.54	746.94	1	2	1		7.2	58.0							66.4		408.0	51.7
WSP2197	368	F			12.0	119.6			119.6			239.2	3.54	846.77	1	2	2		5.0	68.0							66.7		421.0	56.8
WSP2223	380	F			8.0	128.3			128.3			256.6	3.54	908.36	0	2	2		7.9	81.0							70.1		466.0	55.1
WSP2240	372	F			12.0	122.4			122.4			244.8	3.54	866.59	1	2	2		3.2	81.0							69.9		446.0	54.9
145 animals (total)	Averages:				8.4	122.4			122.4			244.8	3.623	886.81	0.66	2.26	1.14		5.7	67.0	0.0	0.0	0.00	68.6	0.0	0.0	443.5	55.2		
	Totals				17749.6			17749.6			35499.2		128587.59																	

PRACTICAL SYSTEMS STOCKBOOK

FEMALE BREEDING HISTORY REPORTS:

Female Breeding History
Progeny Summary Report
Birth List

Cattle only

Glen Forres Pty Ltd

Printed 31/10/2011

Page 1

Female Breeding History in Identification Order

Identification	Age	Sire	Dam	Sire's Sire	Sire's Dam	Dam's Sire	Dam's Dam	Age At	No. of	Prog.	Avg.	Avg.	-----Last Progeny-----		
								1st Prog.	Prog.	Int'l	200D	400D	Identification	Sex	Birth Date
AS01	14.3 yr	Q27	227	USAZ005	NSTN16			33mth	2	485	115.36(1)	103.02(1)	WS08	F	6/08/2001
AS11	14.2 yr	Q22	273	USAZ005	J19			36mth	2	372			WS39	F	31/08/2001
AS12	14.2 yr	Q22	284S	USAZ005	J19			31mth	2	497	59.11(1)	85.71(1)	WS18	S	12/08/2001
AS24	14.1 yr	Q27	229	USAZ005	NSTN16			30mth	1		115.13(1)	104.75(1)	VS30	F	15/03/2000
AS27	14.1 yr	Q22	208	USAZ005	J19			19mth	3	429			WS11	S	6/08/2001
AS28	14.1 yr	Q22	257S	USAZ005	J19			37mth	2	308	117.00(1)	118.58(1)	WS22	S	15/08/2001
AS30	14.1 yr	Q16	C295	USA315	USAB144			30mth	2	516			WS31	F	20/08/2001
AS32	14.0 yr	Q16	137	USA315	USAB144			46mth	1				WS02	S	27/07/2001
AS33	14.0 yr	Q16	109S	USA315	USAB144			29mth	3	254	71.84(1)	94.58(1)	WS15	S	10/08/2001
TS02	13.2 yr	Q16	C283	USA315	USAB144			25mth	3	170	106.36(1)	137.21(1)	WS32	S	20/08/2001
TS03	13.2 yr	Q16	217	USA315	USAB144			20mth	2	467	109.95(1)	104.82(1)	WS03	S	29/07/2001
TS04	13.2 yr	Q16	309	USA315	USAB144			15mth	2	656			WS44	S	11/09/2001
TS07	13.2 yr	Q16	273	USA315	USAB144			19mth	2	485	108.31(1)	107.21(1)	WS07	F	6/08/2001
TS12	13.1 yr	R112	210	USA7369	G12			20mth	2	472			WS17	F	12/08/2001
TS13	13.1 yr	R22	004	USAZ005	P6				0						
TS14	13.1 yr	R112	229	USA7369	G12			19mth	2	497	102.20(1)	98.89(1)	WS29	F	19/08/2001
TS15	13.1 yr	R112	019	USA7369	G12			19mth	2	481	120.89(1)	107.22(1)	WS26	M	18/08/2001
TS17	13.1 yr	R112	208	USA7369	G12			18mth	2	509			WS24	F	17/08/2001
TS19	13.1 yr	R112	204	USA7369	G12			19mth	2	481			WS28	F	19/08/2001
TS20	13.1 yr	R112	207	USA7369	G12			18mth	2	485	98.29(1)	91.08(1)	WS05	F	6/08/2001
TS24	13.0 yr	R107	137	USA7369	NSTN16			17mth	2	490	102.53(1)	88.12(1)	WS12	S	8/08/2001
TS26	12.9 yr	R107	324	USA7369	NSTN16			34mth	1				WS34	F	27/08/2001
TS30	12.8 yr	R107	284S	USA7369	NSTN16			32mth	1				WS38	S	30/08/2001

23 Animals

Average

447.4

Cattle only

Glen Forres Pty Ltd

Printed On 31/10/2011 Page 1

Progeny Summary Report

Sire/Dam	No. of Joins	Join Type		-----Scan/PT Results-----				-----Birth Sex-----			-----Birth No. -----				Reared	-----Conception Type-----				
		AI	Nat.	Single	Twin	Triplet	Other	Male	Female	Other	Single	Twin	Triplet	Other		Natural	AI	ET	Other	
AS01	3	0	3	0	0	0	0	0	2	0	2	0	0	0	2	2	0	0	0	
AS11	3	0	3	0	0	0	0	1	1	0	2	0	0	0	2	2	0	0	0	
AS12	3	0	3	0	0	0	0	0	0	2	2	0	0	0	1	2	0	0	0	
AS24	3	0	3	0	0	0	0	0	1	0	1	0	0	0	1	1	0	0	0	
AS27	4	0	4	0	0	0	0	2	0	1	3	0	0	0	2	3	0	0	0	
AS28	3	0	3	0	0	0	0	0	1	1	2	0	0	0	1	2	0	0	0	
AS30	3	0	3	0	0	0	0	1	1	0	2	0	0	0	2	2	0	0	0	
AS32	3	0	3	0	0	0	0	0	0	1	1	0	0	0	1	1	0	0	0	
AS33	3	0	3	0	0	0	0	1	1	1	1	2	0	0	3	3	0	0	0	
TS02	3	0	3	0	0	0	0	0	1	2	1	2	0	0	2	3	0	0	0	
TS03	3	0	3	0	0	0	0	0	1	1	2	0	0	0	2	2	0	0	0	
TS04	3	0	3	0	0	0	0	0	1	1	2	0	0	0	2	2	0	0	0	
TS07	3	0	3	0	0	0	0	0	2	0	2	0	0	0	2	2	0	0	0	
TS12	3	0	3	0	0	0	0	1	1	0	2	0	0	0	2	2	0	0	0	
TS13	3	0	3	0	0	0	0	0	0	0	0	0	0	0	0	0	0	0	0	
TS14	3	0	3	0	0	0	0	0	1	1	2	0	0	0	2	2	0	0	0	
TS15	3	0	3	0	0	0	0	1	1	0	2	0	0	0	1	2	0	0	0	
TS17	3	0	3	0	0	0	0	1	1	0	2	0	0	0	2	2	0	0	0	
TS19	3	0	3	0	0	0	0	1	1	0	2	0	0	0	2	2	0	0	0	
TS20	3	0	3	0	0	0	0	0	2	0	2	0	0	0	2	2	0	0	0	
TS24	3	0	3	0	0	0	0	0	1	1	2	0	0	0	2	2	0	0	0	
TS26	3	0	3	0	0	0	0	0	1	0	1	0	0	0	1	1	0	0	0	
TS30	3	0	3	0	0	0	0	0	0	1	1	0	0	0	1	1	0	0	0	
Averages	3.0	0.0	3.0	0.0	0.0	0.0	0.0	0.4	0.9	0.6	1.7	0.2	0.0	0.0	1.7	1.9	0.0	0.0	0.0	
Totals	70	0	70	0	0	0	0	9	21	13	39	4	0	0	38	43	0	0	0	

Cattle only

Glen Forres Pty Ltd

Printed 31/10/2011

Page 1

List of females that have given birth between 1996 and 2011

Cow	Cow Birth Date	Calf	Calf Birth Date	Calf Interval
AS01	2/08/1997	VS41	8/04/2000	0
	2/08/1997	WS08	6/08/2001	485
AS11	5/09/1997	VS14	24/08/2000	0
	5/09/1997	WS39	31/08/2001	372
AS12	7/09/1997	VS36	2/04/2000	0
	7/09/1997	WS18	12/08/2001	497
AS24	19/09/1997	VS30	15/03/2000	0
AS27	20/09/1997	ST31	1/04/1999	0
	20/09/1997	VS45	22/04/2000	387
	20/09/1997	WS11	6/08/2001	471
AS28	21/09/1997	VS22	11/10/2000	0
	21/09/1997	WS22	15/08/2001	308
AS30	11/10/1997	VS33	22/03/2000	0
	11/10/1997	WS31	20/08/2001	516
AS32	17/10/1997	WS02	27/07/2001	0
AS33	10/11/1997	VS32	19/03/2000	0
	10/11/1997	WS15	10/08/2001	509
TS02	30/08/1998	VS19	15/09/2000	0
	30/08/1998	WS33	20/08/2001	339
TS03	31/08/1998	VS44	18/04/2000	0
	31/08/1998	WS03	29/07/2001	467
TS04	31/08/1998	US28	25/11/1999	0
	31/08/1998	WS44	11/09/2001	656
TS07	2/09/1998	VS39	8/04/2000	0
	2/09/1998	WS07	6/08/2001	485
TS12	20/09/1998	VS48	27/04/2000	0
	20/09/1998	WS17	12/08/2001	472
TS14	28/09/1998	VS42	9/04/2000	0
	28/09/1998	WS29	19/08/2001	497
TS15	29/09/1998	VS46	24/04/2000	0
	29/09/1998	WS26	18/08/2001	481
TS17	30/09/1998	VS34	26/03/2000	0
	30/09/1998	WS24	17/08/2001	509
TS19	9/10/1998	VS47	25/04/2000	0
	9/10/1998	WS28	19/08/2001	481
TS20	13/10/1998	VS40	8/04/2000	0
	13/10/1998	WS05	6/08/2001	485
TS24	21/11/1998	VS38	5/04/2000	0
	21/11/1998	WS12	8/08/2001	490
TS26	24/11/1998	WS34	27/08/2001	0
TS30	31/12/1998	WS38	30/08/2001	0

PRACTICAL SYSTEMS STOCKBOOK

ANIMAL TREATMENT REPORTS:

Animal Treatment History
Animal History with Costs

Cattle only

Allied Beef Pty Ltd - Boorolong, Armidale

Printed 01/06/2010 Page 1 L7

Animal Treatment History: 01/01/2010 and 01/06/2010

(No Accred. No. - No Expiry Date)

Identification	Sex	Age	Sire	Dam	Mob	Paddock	Safe On
Treatment	Live Wt.	Date	Product	Batch	Qty.	Comment	WHP/ESI
220102	S				BOOR1003	Stables	
Vaccinate	0	24/01/2010	Ultravac 5 in 1	B7711-08102	2.00 mls		0/0
Worm Control	0	24/01/2010	Baymec	179BA8006	35.00 mls		07/03/2010
HGP	0	24/01/2010	ProGro S	01911-A	1.00 Unit		0/0
Vaccinate	0	24/01/2010	Bovillis MH	B0923804	2.00 mls		0/0
220103	S				BOOR1003	Stables	
Vaccinate	0	24/01/2010	Ultravac 5 in 1	B7711-08102	2.00 mls		0/0
Worm Control	0	24/01/2010	Baymec	179BA8006	35.00 mls		07/03/2010
HGP	0	24/01/2010	ProGro S	01911-A	1.00 Unit		0/0
Vaccinate	0	24/01/2010	Bovillis MH	B0923804	2.00 mls		0/0
220104-4T	S				BOOR1003	Stables	
Vaccinate	0	24/01/2010	Ultravac 5 in 1	B7711-08102	2.00 mls		0/0
Worm Control	0	24/01/2010	Baymec	179BA8006	35.00 mls		07/03/2010
HGP	0	24/01/2010	ProGro S	01911-A	1.00 Unit		0/0
Vaccinate	0	24/01/2010	Bovillis MH	B0923804	2.00 mls		0/0
220106	S				BOOR1003	Stables	
Vaccinate	0	24/01/2010	Ultravac 5 in 1	B7711-08102	2.00 mls		0/0
Worm Control	0	24/01/2010	Baymec	179BA8006	35.00 mls		07/03/2010
HGP	0	24/01/2010	ProGro S	01911-A	1.00 Unit		0/0
Vaccinate	0	24/01/2010	Bovillis MH	B0923804	2.00 mls		0/0
220107	S				BOOR1003	Stables	
Vaccinate	0	24/01/2010	Ultravac 5 in 1	B7711-08102	2.00 mls		0/0
Worm Control	0	24/01/2010	Baymec	179BA8006	35.00 mls		07/03/2010
HGP	0	24/01/2010	ProGro S	01911-A	1.00 Unit		0/0
Vaccinate	0	24/01/2010	Bovillis MH	B0923804	2.00 mls		0/0
220151	S				BOOR1003	Stables	
Vaccinate	0	24/01/2010	Ultravac 5 in 1	B7711-08102	2.00 mls		0/0
Worm Control	0	24/01/2010	Baymec	179BA8006	35.00 mls		07/03/2010
HGP	0	24/01/2010	ProGro S	01911-A	1.00 Unit		0/0
Vaccinate	0	24/01/2010	Bovillis MH	B0923804	2.00 mls		0/0
220152	S				BOOR1003	Stables	
Vaccinate	0	24/01/2010	Ultravac 5 in 1	B7711-08102	2.00 mls		0/0
Worm Control	0	24/01/2010	Baymec	179BA8006	35.00 mls		07/03/2010
HGP	0	24/01/2010	ProGro S	01911-A	1.00 Unit		0/0
Vaccinate	0	24/01/2010	Bovillis MH	B0923804	2.00 mls		0/0
220153	S				BOOR1003	Stables	
Vaccinate	0	24/01/2010	Ultravac 5 in 1	B7711-08102	2.00 mls		0/0
Worm Control	0	24/01/2010	Baymec	179BA8006	35.00 mls		07/03/2010
HGP	0	24/01/2010	ProGro S	01911-A	1.00 Unit		0/0
Vaccinate	0	24/01/2010	Bovillis MH	B0923804	2.00 mls		0/0

Cattle only

Default Trading Name

Animal History In Identification Order

Identification	Sex	Birth Date	Status	Status Date	Breed	Sire	Birthing Dam	Mob	Paddock	Alternate Id.
1016	S		Sold	02/06/2009				PEN 1		

<u>Costs:</u>	Date	Amount	Details
	22/05/2009	2.96	JD Finisher
	25/05/2009	3.11	JD Finisher
	15/04/2009	11.23	Hayage Wheat Finish
	23/04/2009	10.85	Hayage Starter
	23/04/2009	7.12	JD Starter
	23/04/2009	2.41	JD Inter 2
	24/04/2009	2.56	JD Inter 2
	27/05/2009	3.15	JD Finisher
	28/05/2009	6.02	JD Finisher
	29/05/2009	3.41	JD Finisher
	28/04/2009	10.22	JD Inter 2
	05/05/2009	19.04	JD Inter 3
	05/05/2009	2.89	JD Inter 3
	11/05/2009	13.69	JD Finisher
	31/05/2009	2.90	JD Finisher
	14/05/2009	8.53	JD Finisher
	18/05/2009	11.74	JD Finisher
	21/05/2009	9.07	JD Finisher
	02/06/2009	16.25	Freight

1038	S		Sold	02/06/2009				PEN 1		
------	---	--	------	------------	--	--	--	-------	--	--

<u>Costs:</u>	Date	Amount	Details
	22/05/2009	2.96	JD Finisher
	25/05/2009	3.11	JD Finisher
	15/04/2009	11.23	Hayage Wheat Finish
	23/04/2009	10.85	Hayage Starter
	23/04/2009	7.12	JD Starter
	23/04/2009	2.41	JD Inter 2

PRACTICAL SYSTEMS STOCKBOOK

STUD REPORTING:

Pedigree

Trait Summary

EBV Summary

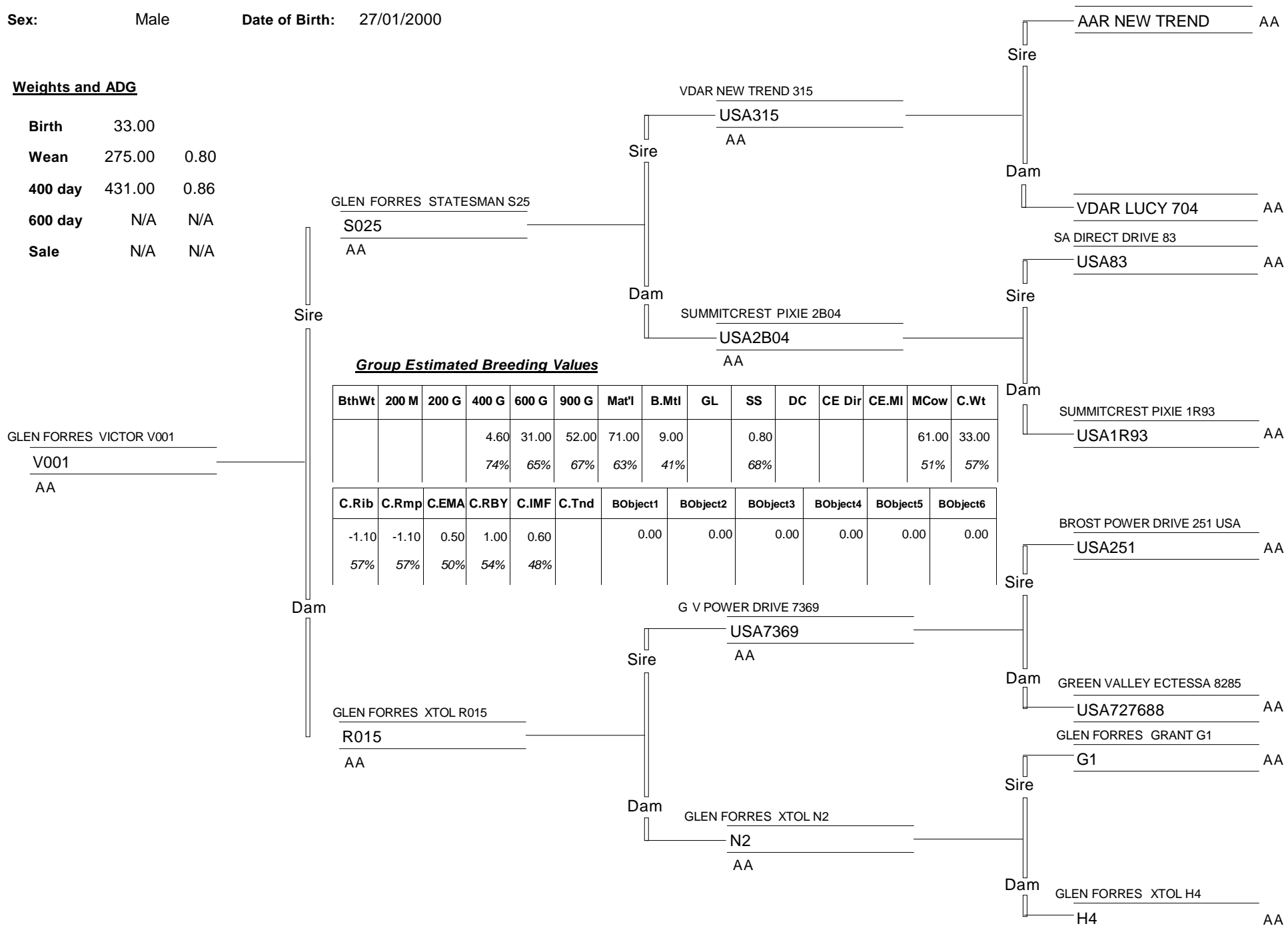
Calf Registration Form

Pedigree of V001

Name: GLEN FORRES VICTOR V001
 Sex: Male Date of Birth: 27/01/2000

Weights and ADG

Birth	33.00	
Wean	275.00	0.80
400 day	431.00	0.86
600 day	N/A	N/A
Sale	N/A	N/A



Group Estimated Breeding Values

BthWt	200 M	200 G	400 G	600 G	900 G	Mat'l	B.Mtl	GL	SS	DC	CE Dir	CE.MI	MCow	C.Wt
			4.60	31.00	52.00	71.00	9.00		0.80				61.00	33.00
			74%	65%	67%	63%	41%		68%				51%	57%

C.Rib	C.Rmp	C.EMA	C.RBY	C.IMF	C.Tnd	BObject1	BObject2	BObject3	BObject4	BObject5	BObject6
-1.10	-1.10	0.50	1.00	0.60		0.00	0.00	0.00	0.00	0.00	0.00
57%	57%	50%	54%	48%							

Animals Observed for Trait SCROTAL CIRCUMFERENCE as at 30/04/2012, in Identification order

Identification	Age	Sex	Value	Index	Score	Code	Sire	Dam	Comment	Date
BGXV2	12.18 yr	M	38				USA036	NAQT23		30/04/2012
Q16	16.74 yr	M	37				USA315	USAB144		30/04/2012
R112	15.60 yr	M	40				USA7369	G12		30/04/2012
U023	13.10 yr	M	42				USAZ005	VWNM21		30/04/2012
U34		M	37				USA036			30/04/2012
USA036	22.25 yr	M	39				USA315	USA76		30/04/2012
USA12223258	18.28 yr	M	40				USA1680	USA041		30/04/2012
USA1531	17.34 yr	M	41				USA2172	USA1301		30/04/2012
USA97	15.30 yr	M	36				USA036	USA 5968		30/04/2012
USAZ005	23.59 yr	M	37				USA7501542	CAN5504		30/04/2012
V001	12.27 yr	M	38				S025	R015		30/04/2012
V006	12.23 yr	M	40				S025	R051		30/04/2012
V009	12.21 yr	M	41				S025	S094		30/04/2012
V010	12.20 yr	M	40				S025	R073		30/04/2012
Averages			39.00	0.00	0.0					

14 animals

Glen Forres Pty Ltd

&Group Estimated Breeding Values Listing, ranked by Animal Id.



Id.,DOB,Reg. Status,Name

Sire Id./Name	BthWt	200 M	200 G	400 G	600 G	900 G	Mat'l	B.Mtl	GL	SS	DC	CE Dir	CE.MI	MCow	C.Wt	C.Rib	C.Rmp	C.EMA	C.RBY
Dam Id./Name	acc.	acc.	acc.	acc.	acc.	acc.	acc.	acc.	acc.	acc.	acc.	acc.	acc.	acc.	acc.	acc.	acc.	acc.	acc.
V001,27/01/2000,GLEN FORRES VICTOR V001																			
S025/GLEN FORRES STATESMAN S25	0	0	0	5	31	52	71	9	0	1	0	0	0	61	33	-1	-1	1	1
R015/GLEN FORRES XTOL R015				74%	65%	67%	63%	41%		68%				51%	57%	57%	57%	50%	54%
V006,9/02/2000,,GLEN FORRES VALVE V006																			
S025/GLEN FORRES STATESMAN S25	0	0	0	5	29	47	64	9	0	2	0	0	0	48	26	-1	-1	1	1
R051/GLEN FORRES IMPACT R51				75%	66%	69%	64%	40%		68%				51%	58%	59%	58%	51%	55%
V009,18/02/2000,,GLEN FORRES V009																			
S025/GLEN FORRES STATESMAN S25	0	0	0	6	34	55	73	11	0	2	-2	0	0	63	31	0	0	1	0
S094/GLEN FORRES QUINTE S094				69%	61%	60%	59%	42%		42%	35%			52%	51%	52%	51%	44%	49%
EBV Averages	0.00	0.00	0.00	5.33	31.33	51.33	69.33	9.67	0.00	1.67	-0.67	0.00	0.00	57.33	30.00	-0.67	-0.67	1.00	0.67
Breed Object Averages																			

Calf Recording/Registration Forms
Angus Society of Australia

Breeder: Glen Forres Pty Ltd

Herd Tattoo/Id. ABC

PIC:

Tattoo Mark & Brand:

Prefix: ANGUS

Dam of Calf	Sire of Calf	NLIS Id.		Tattoo	Embryo No. Name	Recipient Dam	Birth Date	Sex	No. in Birth	Calf Fate	Calf Grp.	Bth. Wt.	Calv. Ease
		Mating Date	Code										
ABCJ19	NGCS25	05/01/1999	P	V16	GLEN FORRES VALENTINE V016		24/02/2000	M				37.50	1
ABCP71	NGCS25	05/01/1999	P	V7	GLEN FORRES IMPACT V007		14/02/2000	F					1
ABCR17	NGCS25	05/01/1999	P	V14	GLEN FORRES VERTEX V014		21/02/2000	M				33.50	1
ABCR39	NGCS25	05/01/1999	P	V15	GLEN FORRES VIAND V015		24/02/2000	M				35.00	1
ABCR44	NGCS25	05/01/1999	P	V17	GLEN FORRES VALUE V017		26/02/2000	M				38.00	1
ABCR51	NGCS25	05/01/1999	P	V6	GLEN FORRES VALVE V006		9/02/2000	M				34.00	1
ABCR73	NGCS25	05/01/1999	P	V10	GLEN FORRES VEIN V010		19/02/2000	M				34.00	1
ABCR78	NGCS25	05/01/1999	P	V4	GLEN FORRES MALTED V004		7/02/2000	F					1
ABCR93	NGCS25		P	V12	GLEN FORRES EVILENT V012		20/02/2000	F	2				1
ABCS27	NGCS25		P	V2	GLEN FORRES EVILENT V002		3/02/2000	F					1
ABCS94	NGCS25	05/01/1999	P	V9	GLEN FORRES V009		18/02/2000	M					1

Signed Date/...../.....